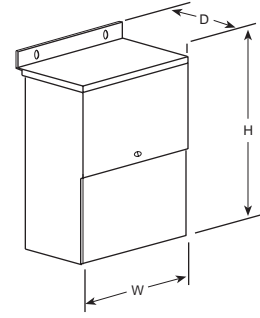


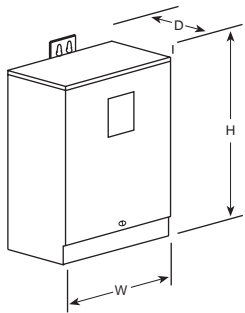
Dimensional Drawings

Sections I, II, III & IV

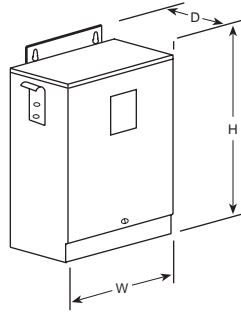
**These drawings are for reference only.
Contact factory for certified drawings.**



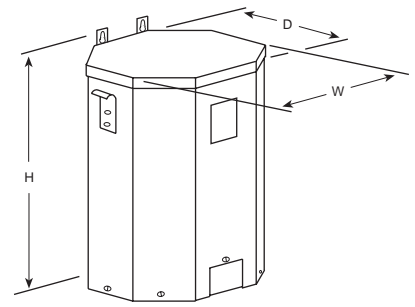
Design A



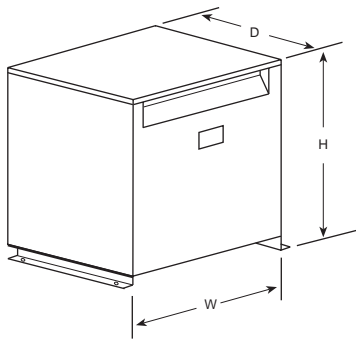
Design B



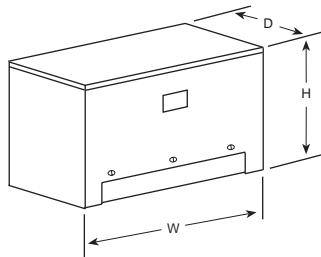
Design C



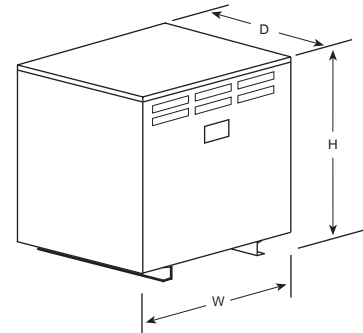
Design D



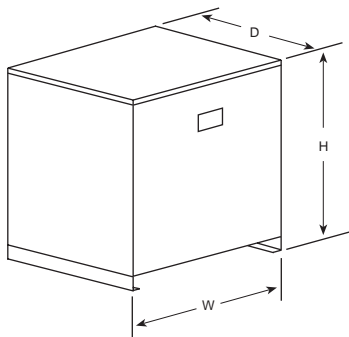
Design E



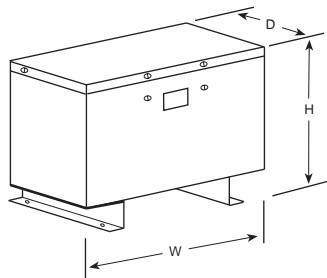
Design F



Design G



Design H



Design I