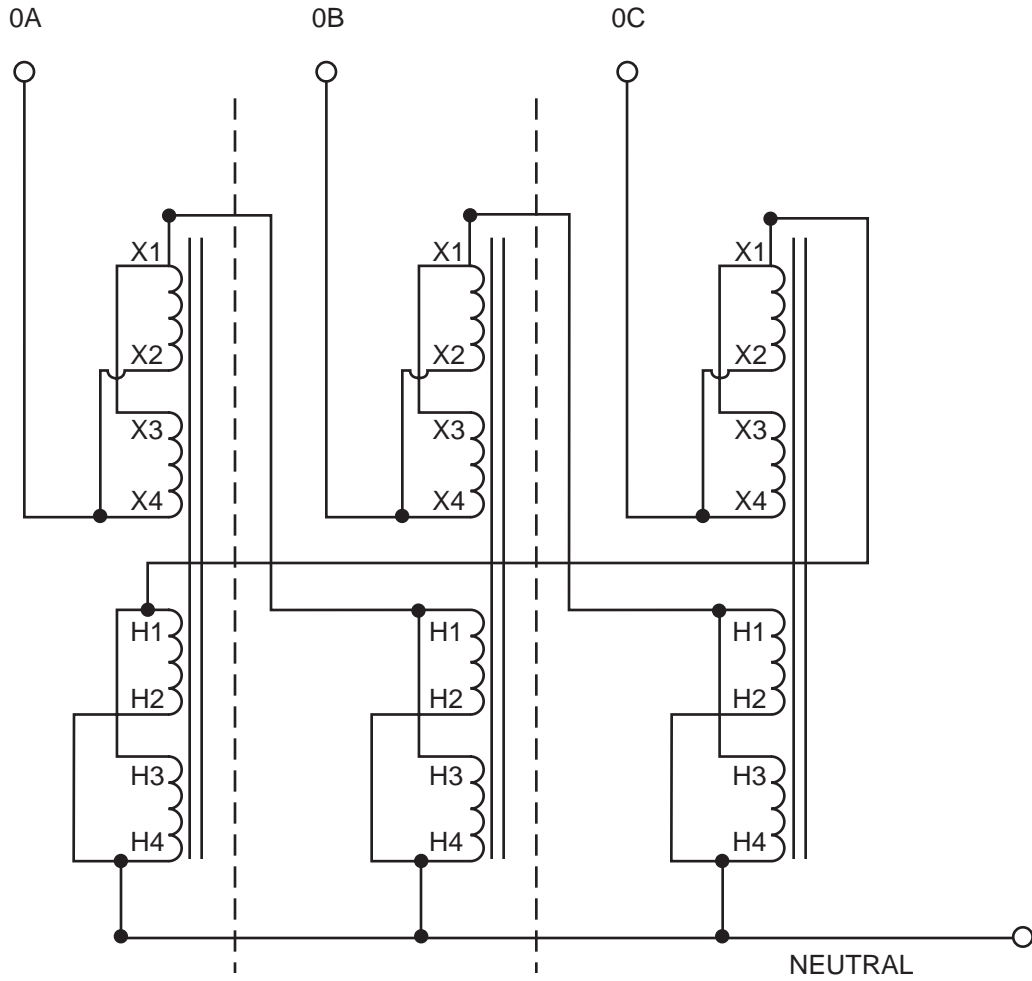


INPUT 240 VOLT DELTA 3Ø 60 HZ 3 WIRE



OUTPUT 240Y/138 VOLTS 3Ø 60 HZ 4 WIRE

CATALOG NO.	QTY.	MAX KVA PER PHASE	MAX AMPS PER PHASE
T-3-53040-S	3	3.45	25
T-3-53041-S	3	5.18	37.5
T-3-53042-S	3	6.90	50
T-3-53043-S	3	10.35	75
T-3-53044-S	3	17.25	125
T-3-53545-S	3	25.88	187.5
T-3-53546-S	3	34.50	250
T-3-53547-S	3	51.75	375
T-3-53548-S	3	86.25	625

NOTE - THERE MUST BE NO NEUTRAL AVAILABLE ON SOURCE DO NOT REVERSE FEED.



Acme Electric Corporation

Power Distribution Products Division

4815 West Fifth Street
 Lumberton, NC 28358
 910-738-1121 Inside NC
 800-334-5214 Outside NC
 910-739-0024 Fax

www.acmepowerdist.com

A-125896