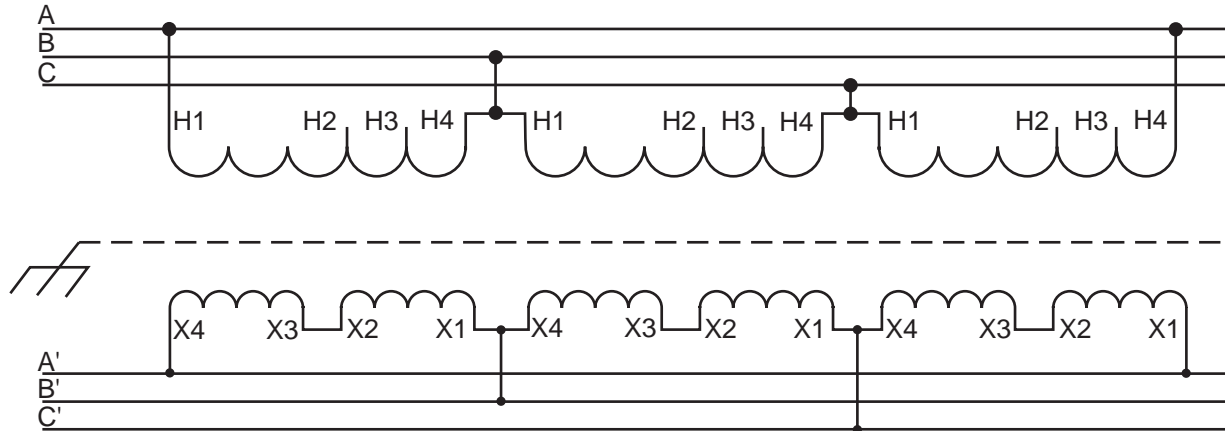


INPUT 208 VOLTS 3Ø 60 HZ 3 WIRE



OUTPUT 240 VOLTS DELTA 3Ø 60 HZ 3 WIRE

CATALOG NO.	3Ø KVA	QTY.
T-2-53140-1S	3	3
T-2-53141-1S	4.5	3
T-2-53142-1S	6	3
T-2-53143-1S	9	3
T-2-53144-1S	15	3
T-2-53645-1S	22.5	3
T-2-53646-1S	30	3
T-2-53647-1S	45	3
T-2-53648-1S	75	3

INPUT AND OUTPUT CAN BE REVERSE CONNECTED



Acme Electric Corporation

Power Distribution Products Division

4815 West Fifth Street
 Lumberton, NC 28358
 910-738-1121 Inside NC
 800-334-5214 Outside NC
 910-739-0024 Fax
www.acmepowerdist.com