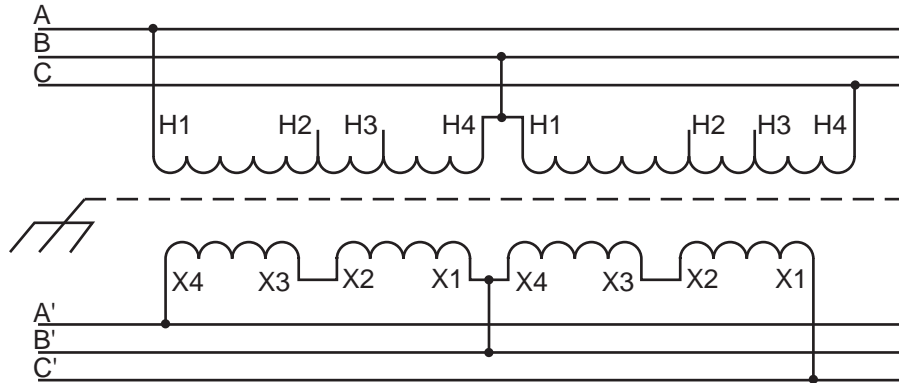


INPUT 600 VOLTS 3Ø 60 HZ 3 WIRE



OUTPUT 240 VOLTS 3Ø 60 HZ 3 WIRE

CATALOG NO.	1Ø KVA	3Ø KVA	QTY.
T-2-53113-1S	3	5.1	2
T-2-53114-1S	5	8.6	2
T-2-53615-1S	7.5	12.9	2
T-2-53616-1S	10	17.3	2
T-2-53617-1S	15	25.9	2
T-2-53618-1S	25	43	2

OPEN DELTA ISOLATION  
INPUT AND OUTPUT CAN BE REVERSE CONNECTED



**Acme Electric  
Corporation**

Power Distribution Products Division

4815 West Fifth Street  
Lumberton, NC 28358  
910-738-1121 Inside NC  
800-334-5214 Outside NC  
910-739-0024 Fax  
[www.acmepowerdist.com](http://www.acmepowerdist.com)